

FlashTone^{MT} Sounder Strobe

The FlashTone^{MT} combines the modern aesthetics of the Banshee^{MT} multi-tone sounder and the very latest strobe technology to create an extremely efficient strobe/sounder combination.

Available in a wide choice of lens colours, the FlashTone^{MT} will suit the majority of fire and security needs where conventional sound requires the back up of a visual alarm.



Features

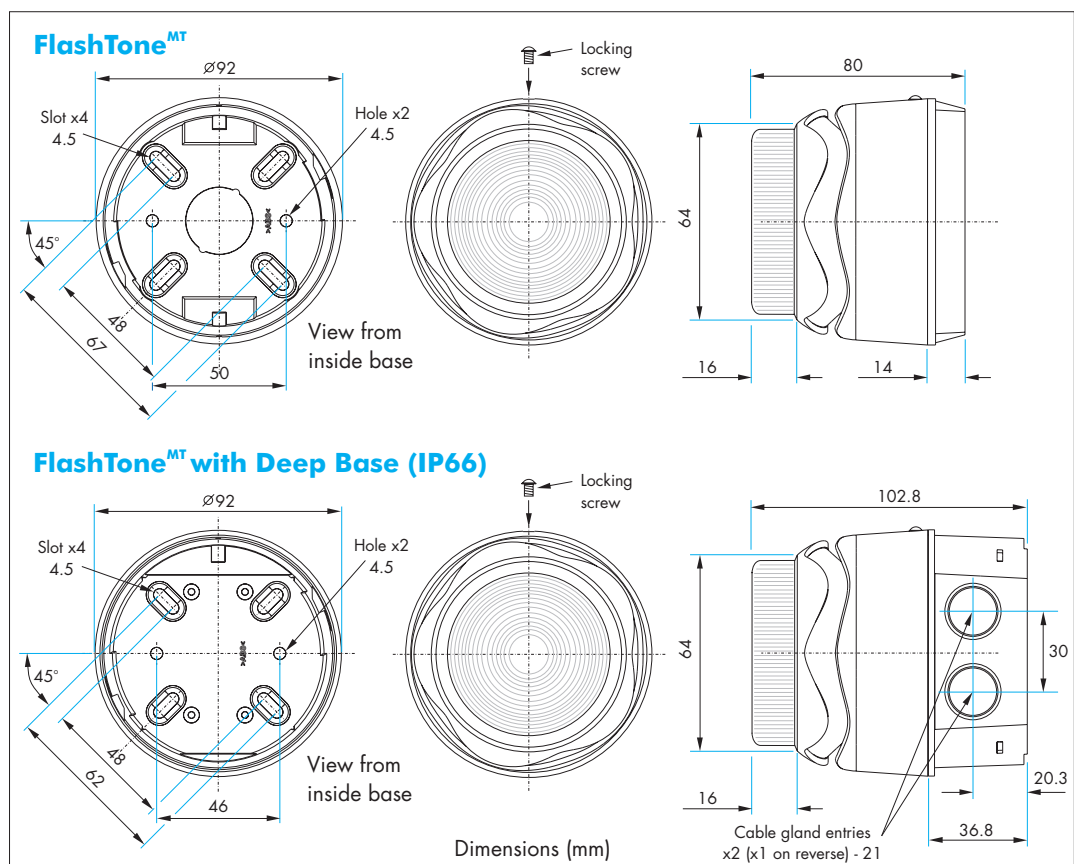
- Low power consumption
- Easily installed
- Deep base available to IP66
- Wide range of lens colour options
- Modern aesthetic design



Specification

Description	FlashTone ^{MT} multi-tone sounder/strobe
Operating voltage	9 - 30 Vdc
Mean current @ 12Vdc	Strobe: 90 mA max, Sounder: See Banshee ^{MT} datasheet
Mean current @ 24Vdc	Strobe: 40 mA max, Sounder: See Banshee ^{MT} datasheet
Strobe:	
Nominal flash energy	1W
Flash rate	60/minute
Temperature Range	-20 to 60°C
IP rating	Shallow base: IP45, Deep Base IP66
Lens colours available	Red, Clear, Green, Blue and Amber
Body colours available	Red and White

Installation



VIMPEX

Vimpex Ltd

Star Lane, Great Wakering
Essex, SS3 0PJ England.
Tel: +44 (0) 1702 216999
Fax: +44 (0) 1702 216699
E-mail: sales@vimpex.co.uk

www.vimpex.co.uk



We reserve the right to change or amend any design or specification in line with our policy of continuing development and improvement.

Part No: DS/FTMT/ISS 2

Other Products and Accessories



- Fire-Cryer[®] Voice Enhanced Sounders
- Electronic Sounders
- Fire Alarm Bells
- Beacons and Strobe Lights
- Sounder Accessories & Fire System Ancillaries
- Stopper Range of Vandal Deterrent Products
- Water Leakage Detection Systems