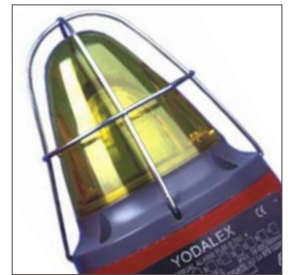


# Hazardous Area Alarm Products



ATEX  CE IECEx

DATASHEET

**VIMPEX**

Shaping Alarm Technology

# Intrinsically Safe Sounder

The IS28 Banshee is an intrinsically safe sounder for use in hazardous areas. It is available in either high or low frequency versions each with four tones: buzz, fast sweep, slow sweep and continuous.

The high frequency unit has a sound output signal based on 2,600Hz for maximum audibility. The low frequency model has the sound output centred on 900Hz to satisfy installations that demand a low frequency sounder.

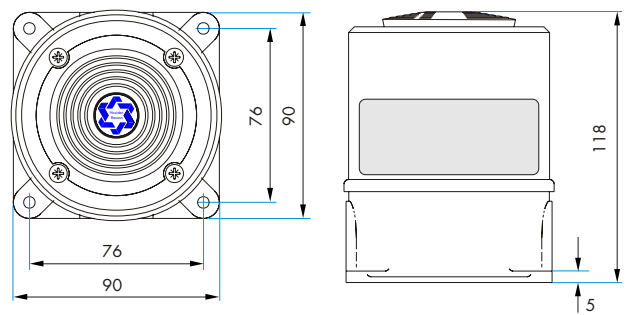
The IS28 has been ITS approved to ATEX and is suitable for use in all zones (0, 1 and 2). The IS28 has also been approved to IECEx by Testsafe. The product should only be connected to the fire alarm system via an approved galvanic isolator or zener barrier. These devices are available from VimpeX.



## Features

- Based on the established Banshee sounder
- Low current consumption
- High and low frequency versions
- Four tones - buzz, fast sweep, slow sweep and continuous
- Volume control fitted as standard

## Dimensions (mm)



## Specification

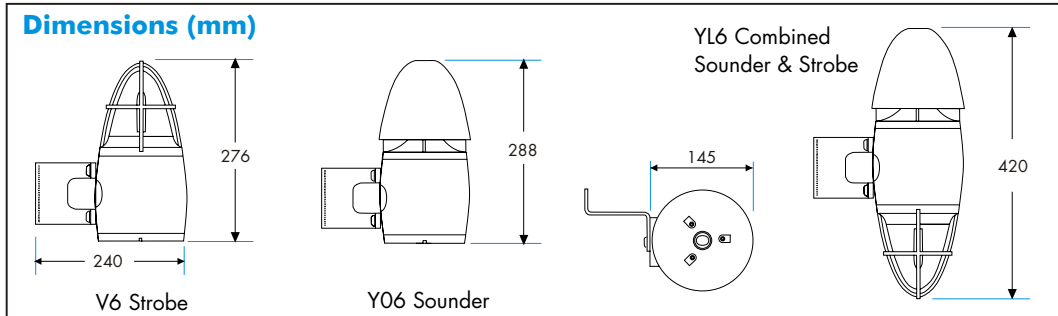
|  |   |
|--|---|
| Ordering Code  | 8645000 (high frequency), 8645100 (low frequency)   |
| Power Supply   | 24Vdc   |
| Typical Current<br>(at 24Vdc via a 28V 300Ω barrier) | 18mA (high frequency) 10mA (low frequency)  |
| Output   | 104 dBA (high frequency) 94dBA (low frequency)  |
| Intrinsic Safety Approval                            | EN50014:1997+Amds 1 & 2, EN50020:2002 and EN50284:1999<br>IEC 60079-0 : 2000<br>IEC 60079-11 : 1999<br>IECEX TSA 06.0026X<br>Group II Category 1 and Group G<br>EEx ia IIC T5 ITS03 ATEX21311X  |
| Installation   | Connection must be made via a certified galvanic isolator or zener barrier with output parameters not exceeding $U_o$ 30Vdc, $I_o$ 147mA, $P_o$ 1.3W. The output current of the barrier must be limited by resistor 'R' such that $I_o=U_o/R$ . |
| Suitable for Zones                                   | 0,1,2   |
| Operating Temperature                                | -40 to +70°C  |
| IP Rating / Material                                 | IP66 / ABS  |
| Weight   | 0.6 kg  |

Please refer to drawing No. 81510 for the IS28 wiring specification.

# Explosion Proof Sounders & Strobes

The Yodalex range of explosion-proof sounders and strobes offers the ruggedness and reliability essential for use in hazardous areas yet the flexibility of combination and lens colour for diverse applications.

One housing offers three options: sounder (Y06), strobe (V6) or combined sounder/strobe (YL6). The lens cover on the strobe or sounder/strobe combination can be changed without jeopardising the integrity of the flame-proof housing.



## Features

- Omni-directional sound output - 110dB
- Unique product combinations
- Low current
- Dual cable entry - cable in/out
- 32 tones for international applications
- Interchangeable lens in 7 colours
- Lens guard fitted as standard

## Standards

### European:

EN50014:1997+Amendments 1 & 2  
EN50018: 2000, EN50281-1-1:1998

### ATEX Directive 94/9/EC:

Baseefa02ATEX0212X (Ex) II2 GD EEx d IIB T4 (Tamb -35C to +60C)  
Baseefa02ATEX0222X (Ex) II2 GD EEx d IIB+H<sub>2</sub>T4 (Tamb -20C to +60C)

### UL Standards:

UL 1203, UL 464, UL 1638  
Control No. 8N30 (Y06 & YL6) 13JM (V6)

### UL Classifications:

Class I Division 1, Gas Groups BCD  
Class II Division 1, Gas Groups EFG (V6 only)

## Specification

| Model                                  | Sounder (Y06)   | Strobe (V6)  | Combined (YL6) |
|--|---|--------------|----------------|
| Part No. *(see below for codes)        | YA60-x-x-x  | FL60-x-x-x-x | YL60-x-x-x-x   |
| Rated Voltage                          | 24Vdc, 115 Vac or 230Vac  |              |                |
| Rated Current (@24vdc/115Vac/230Vac)   | 350/80/40 mA  | 220/70/40 mA | 570/150/80 mA  |
| Sound Output (dBA@1m)                  | 110   | -            | 110            |
| Strobe: Flash rate                     | -   | 1 per second |                |
| Flash energy                           | -   | 5 Joules     |                |
| Lens                                   | Flame retardant polycarbonate in 7 colours<br>(clear, opal, yellow, red, amber, blue and green)               |              |                |
| Operating Temperature: IIB only        | -35 to +66°C  |              |                |
| Class II Div I                         | -25 to +66°C  |              |                |
| European IIB + H <sub>2</sub>          | -20 to +66°C  |              |                |
| IP Rating                              | IP 66 - NEMA 4X   |              |                |
| Enclosure (Fastenings stainless steel) | Body: LM6 aluminium alloy, red 2 part epoxy coating<br>Horn: flame retardant ABS, Glass Dome: toughened glass |              |                |

\* Part No. code: **x - x - x - x** ← **Certification** - **E**-European, **UL**- United States/Canada

← **Lens Colour** - **A**-Amber, **B**-Blue, **G**-Green, **O**-Opal, **R**-Red, **Y**-Yellow, **C**-Clear

← **Rated Voltage** - **D**- 24Vdc (UL/ATEX), **L**- 115Vac (ATEX), **N**- 230Vac (ATEX)

← **Gas Group** - EUROPE: **B**- IIB, **C**- IIB+H<sub>2</sub> USA: **B**- Gas Group B, **C**- Gas Group C,D

# VIMPEX

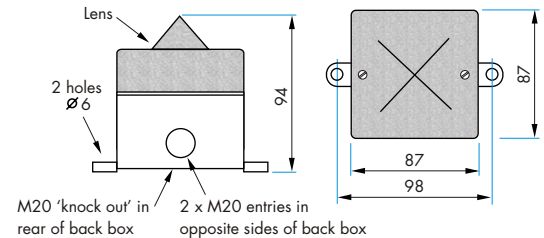
Shaping Alarm Technology

# Intrinsically Safe Beacon



The BA386 is an ATEX certified intrinsically safe beacon which will produce a visual warning for hazardous areas (zones 0, 1 and 2). The beacon must be powered via either a galvanic isolator or zener barrier – both are available from VimpeX.

## Dimensions (mm)



## Specification

|   |   |
|---|---|
| Ordering Code                           | BA386   |
| Power Supply                            | 10 - 28Vdc  |
| Current (@24Vdc via a 28V 300Ω barrier) | 25 mA (typical)   |
| Brightness / Frequency                  | 0.5 joule / 2Hz (2 double flashes / second)   |
| Intrinsic Safety Approval               | EN50020:1994<br>Group II Category 1 and Group G<br>EEx ia IIC T4 ITS02 ATEX2006<br>Ex02E2007 IIC system, Ex02E2008 IIC system<br>Ex02E2011 IIB system, Ex02E2012 IIB system   |
| Installation                            | Connection must be made via a certified galvanic isolator or zener barrier with output parameters not exceeding $U_o$ 28Vdc, $I_o$ 110mA, $P_o$ 0.8W. The output current of the barrier must be limited by resistor 'R' such that $I_o=U_o/R$ . |
| Suitable for Zones                      | 0,1,2   |
| Operating Temperature                   | -20 to +60°C (Certified for use at -40°C)   |
| Humidity                                | to 95% at 40°C  |
| Weight                                  | 0.4 kg  |
| Material: Body / Lens                   | ABS / Polycarbonate with an anti-static coating   |
| Colour                                  | Red body & clear lens with choice of red/amber/green/blue/white LEDs  |

**VIMPEX**

### Vimpex Ltd

Star Lane, Great Wakering  
Essex, SS3 0PJ England.  
Tel: +44 (0) 1702 216999  
Fax: +44 (0) 1702 216699  
E-mail: sales@vimpex.co.uk

[www.vimpex.co.uk](http://www.vimpex.co.uk)



Quality System Certificate No. 456  
Assessed to ISO 9001:2000



We reserve the right to change or amend any design or specification in line with our policy of continuing development and improvement.

Part No: DS/EXIS/ISS 7

## Barriers and Isolators

DIN rail mounted MTL galvanic isolators and zener barriers for use with both the IS28 sounder and the BA386 beacon are available from VimpeX.

### Ordering Codes

| IS Product >      | IS28 LF    | IS28 HF    | BA386      |
|-------------------|------------|------------|------------|
| Galvanic Isolator | MTL 5021   | MTL 5021   | MTL 5025   |
| Zener barrier     | MTL 7778AC | MTL 7778AC | MTL 7778AC |

