

Strobe Lights

The SL-401 Series of ultra-low current strobe lights combine excellent efficiency with high light output. The interchangeable polycarbonate lenses are available in four different colours; red, blue, amber and clear.

Weatherproofed with a neoprene gasket, each strobe light is supplied with an anti-tamper locking device to deter unauthorised removal of the lens.



Features

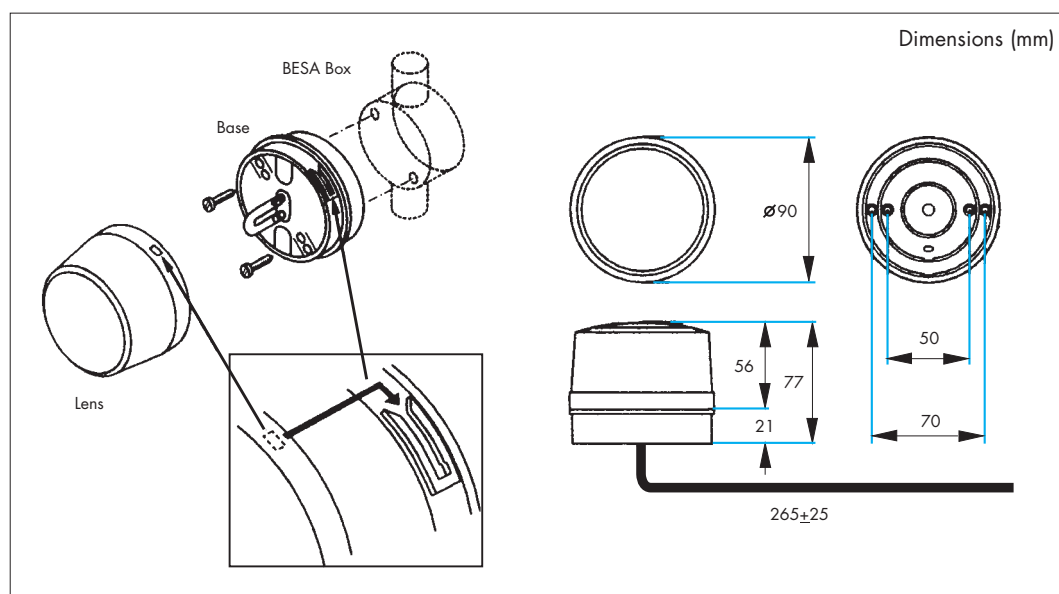
- Low current consumption - 35mA
- Interchangeable lenses available in Red, Amber, Blue or Clear
- Operates on 12 or 24 Vdc
- Easy installation with reverse polarity protection
- Anti-tamper locking device
- Weatherproofed with use of neoprene gasket
- Direct fixing to standard BESA box
- Omni directional light output at both 45° and 90° viewing angles
- "Fire" logo transfer available for clear lens



Specification

Model No.	SL-401-24	SL-401-12
Rated Voltage $\pm 20\%$	24Vdc	12Vdc
Rated Current	35 mA	115 mA
Light Output & Lens Colour:		
Clear (C)	0.80 Candela-Seconds	
Red (R)	0.26 Candela-Seconds	
Blue (B)	0.42 Candela-Seconds	
Amber (A)	0.40 Candela-Seconds	
Base Colour	Black	
Flash Rate	60 ~ 100 per minute	
Operating Temperature Range	-20°C to +60°C	
Weight	130g	
IP Rating	IP55	

Installation



VIMPEX

Vimpex Ltd

Star Lane, Great Wakering
Essex, SS3 0PJ England.
Tel: +44 (0) 1702 216999
Fax: +44 (0) 1702 216699
E-mail: sales@vimpex.co.uk

www.vimpex.co.uk



Quality System Certificate No. 456
Assessed to ISO 9001:2000

BFP
A
British Fire Protection Systems Association

We reserve the right to change or amend any design or specification in line with our policy of continuing development and improvement.

Part No: DS/STRO/ISS 4

Other Products and Accessories



- Fire-Cryer® Voice Enhanced Sounders
- Electronic Sounders
- Fire Alarm Bells
- Sounder Accessories & Fire System Ancillaries
- Stopper Range of Vandal Deterrent Products
- Water Leakage Detection Systems