

## Animal Friendly Sounder

The Ani-Mate® animal friendly sounder uses a specifically developed low frequency tone (sub 400Hz) that is designed to minimise discomfort to animals. Small mammals in particular can be distressed by the frequency of tones emitted by standard electronic sounders and bells.

It is only by using a conventional cone loudspeaker that pure low frequencies can be reproduced and thus disturbance to animals be minimised.

Housed in an attractive white painted metal enclosure, the Ani-Mate® gives excellent sound output with a wide range volume control. As a 24Vdc unit, the Ani-Mate® is easily interfaced with the existing fire alarm system.

Whilst the Ani-Mate® can be used as a simple replacement for traditional sounders and bells, it can also be used as a multi-message voice sounder making it compatible with the Fire-Cryer® range of products.



Ani  Mate®

## Features

- Sub 400Hz frequency designed to minimise stress to animals
- 24Vdc operation means easy interface to existing systems
- Low power consumption
- Attractive, low profile design
- Wide volume control - 83 to 92dBA
- Lower volume output can be programmed if required
- Can be programmed with voice messages for full integration with the Fire-Cryer® sounder range\*

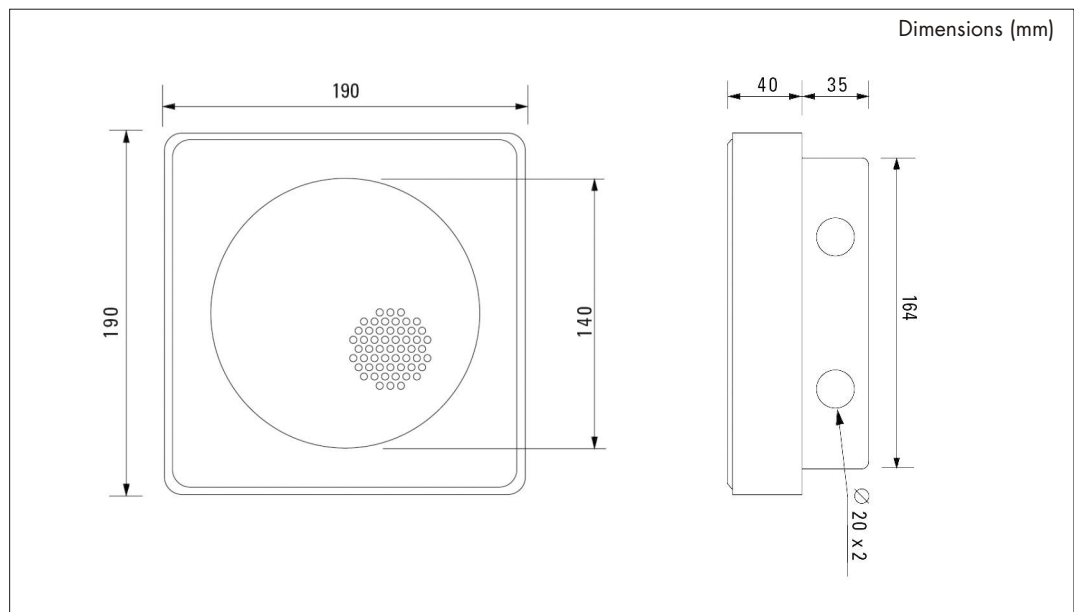


\*Please see Fire-Cryer® datasheet DS/FCYR for full details on the Fire-Cryer® and also Message library DS/FCMESENG for an up-to-date list of messages available.

## Specification

Operating Voltage - Nominal (Vdc)	24
Current at Maximum Volume (mA)	
At volume settings: Max	300
: -2.5dBA	170
: -6dBA	89
: -12dBA (Min)	83
Sound Output dB(A) @1m	95
Frequency (Hz)	<400
Colour	White
Material	Steel Front, Diecast Metal Back Box
IP Rating	IP45
Weight (g)	1700

## Installation



# VIMPEX

### Vimpex Ltd

Star Lane, Great Wakering  
Essex, SS3 0PJ England.  
Tel: +44 (0) 1702 216999  
Fax: +44 (0) 1702 216699  
E-mail: sales@vimpex.co.uk

[www.vimpex.co.uk](http://www.vimpex.co.uk)



Quality System Certificate No. 456  
Assessed to ISO 9001:2000



We reserve the right to change or amend any design or specification in line with our policy of continuing development and improvement.

Part No: DS/ANI/ISS 1

## Other Products and Accessories



- Fire-Cryer® Voice Enhanced Sounders
- Electronic Sounders
- Beacons and Strobe Lights
- Sounder Accessories & Fire System Ancillaries
- Stopper Range of Vandal Deterrent Products
- Water Leakage Detection Systems